

**PROCESSOR**  
252 SHEET 4  
**DSP AUDIO**

**RECEIVER**  
246 SHEET 3

**SYNTH-VCO**  
2922 SHEET 5

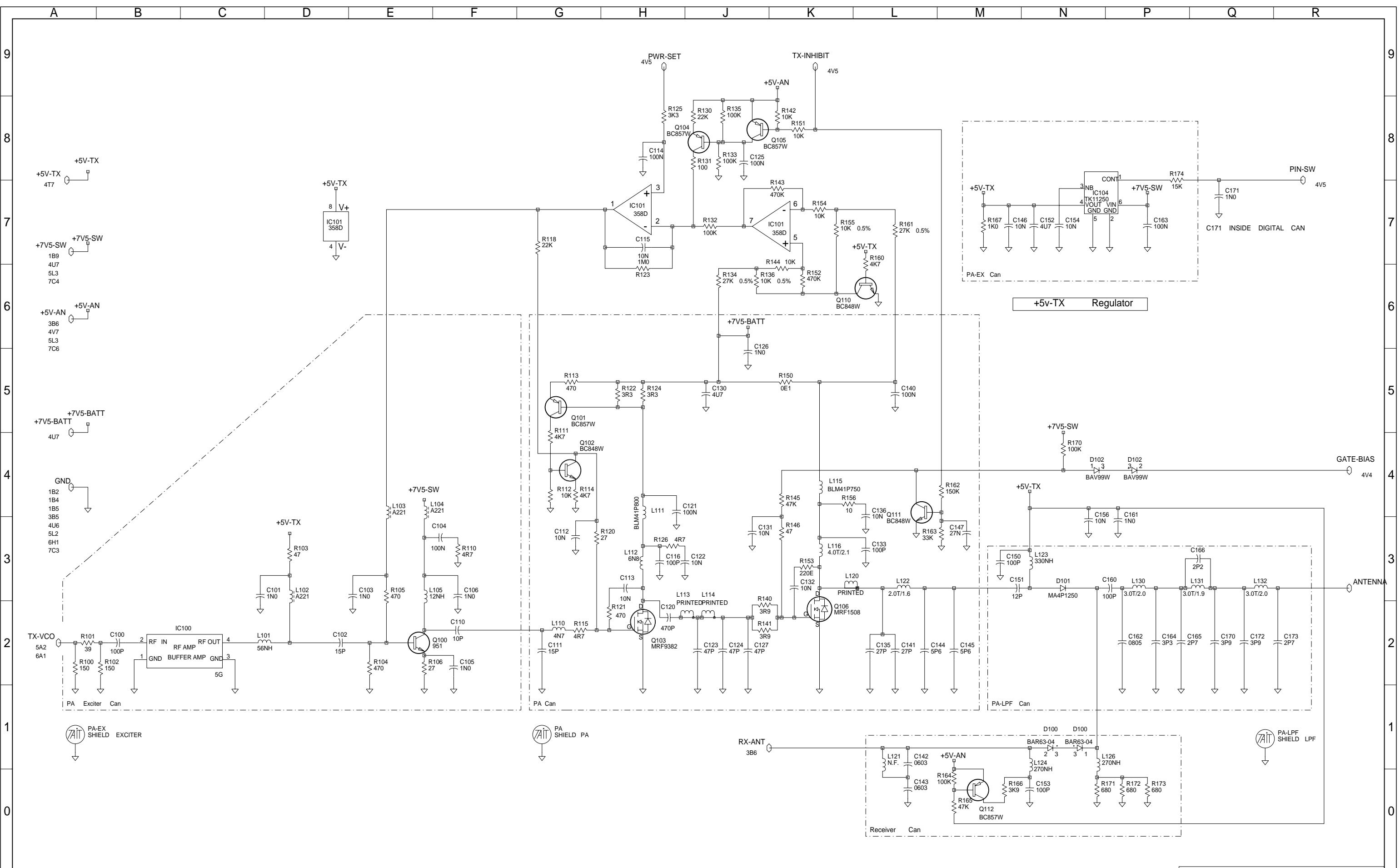
**VCO**  
sheet 6

**POWER-AMP**  
93 SHEET 2

**TAIT ELECTRONICS**  
TAIT ORCA : 450-530 MHZ  
SYSTEM DIAGRAM

IPN: 220-01624-02	ISSUE: A	ID: 2.S.C. 1
PROJECT: ORCA	DESIGNER: BRD/CJK/TS	FILE NAME: 162402a
FILE DATE: 16-Dec-99	NO.SHEETS: 7	

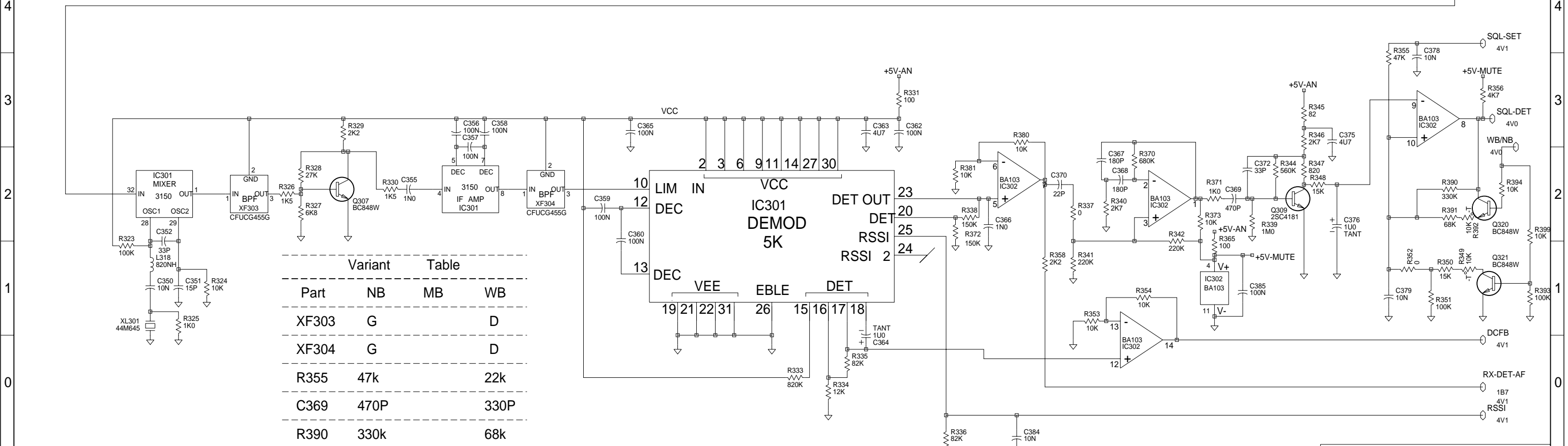
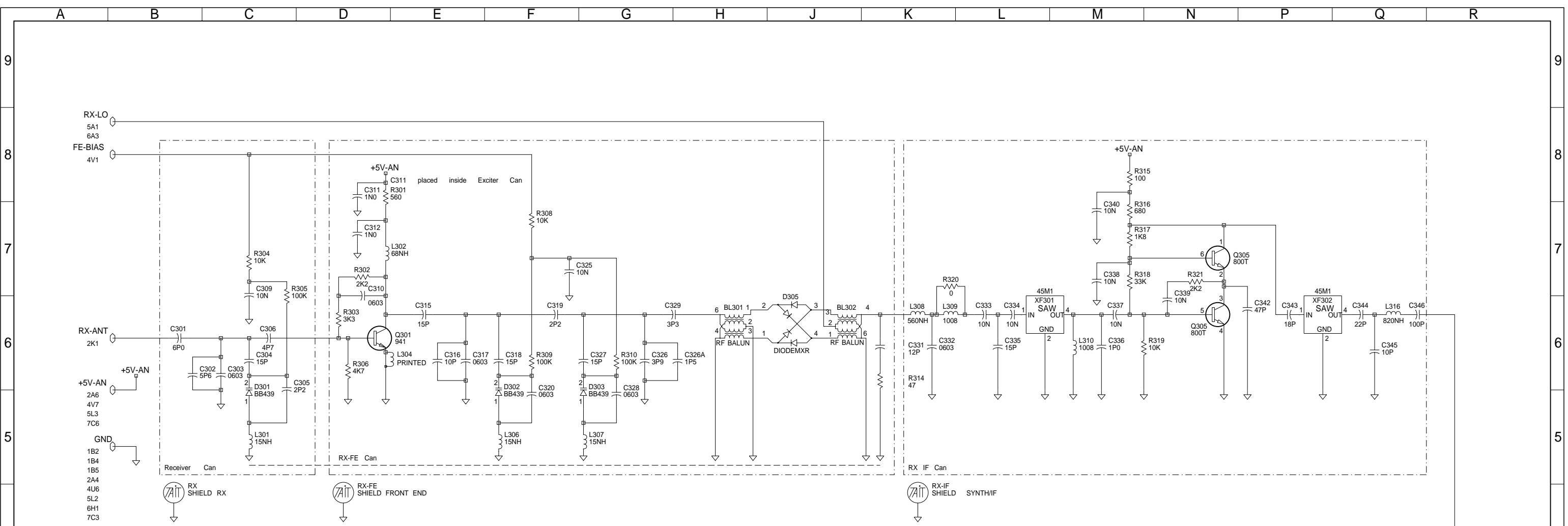
02A	CCO NO.1624-004	AMP CHANGES	TS		16-12-99
01A	INITIAL DES CCO	1624/001 002 003	BRD	JJ	25/11/99
REV/ISS	AMENDMENTS		DRAWN	CHKD	D.O.
			APVD		DATE



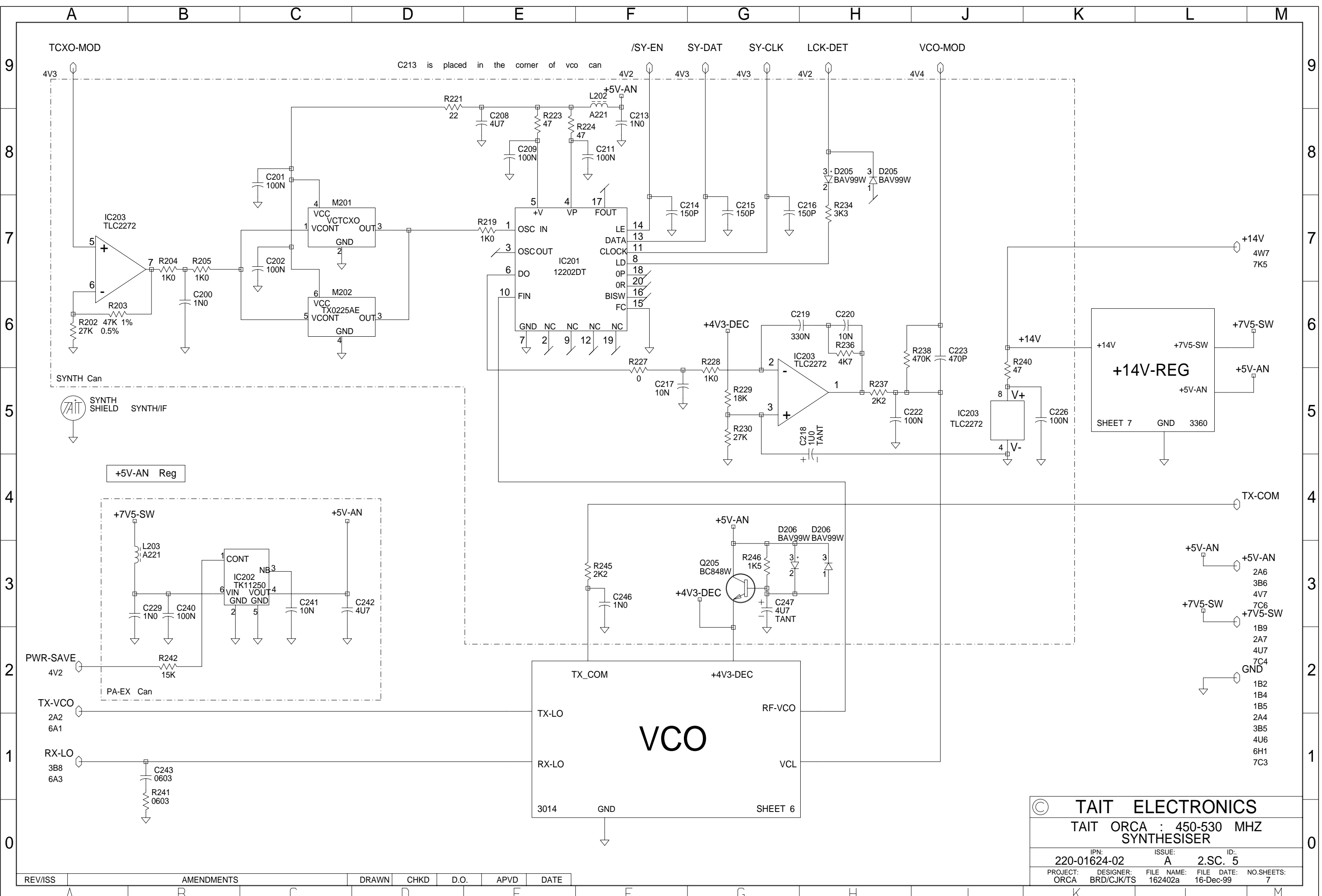
02A	CCO NO.1624-004	AMP CHANGES	TS		16-12-99
REV/ISS	AMENDMENTS		DRAWN	CHKD	D.O.
			APVD	DATE	

© TAIT ELECTRONICS  
 TAIT ORCA : 450-530 MHZ  
 POWER AMPLIFIER

IPN:	ISSUE:	ID:
220-01624-02	A	2.S.C. 2
PROJECT:	DESIGNER:	FILE NAME:
ORCA	BRD/CJK/TS	162402a
FILE DATE:	NO.SHEETS:	
16-Dec-99	7	

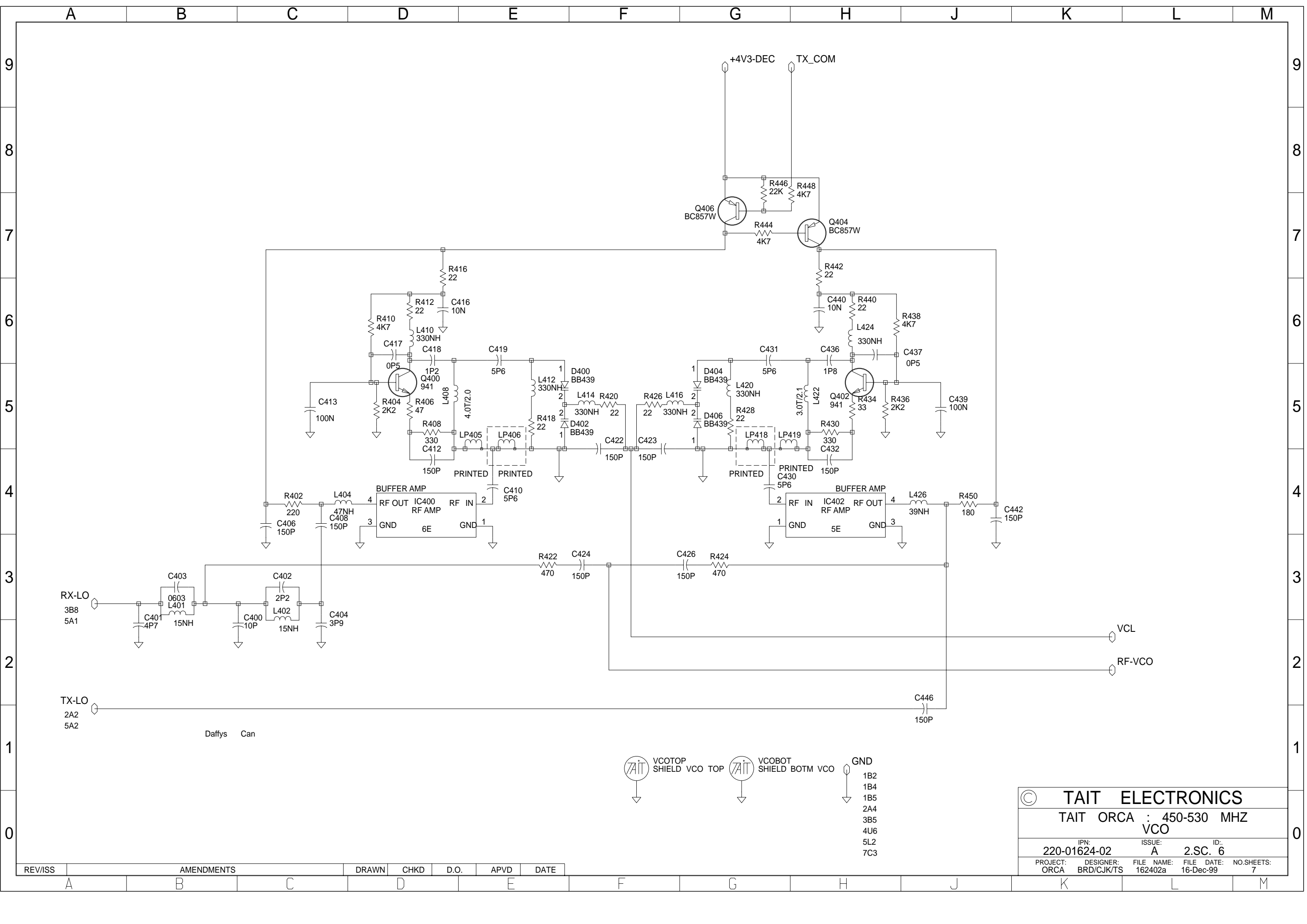




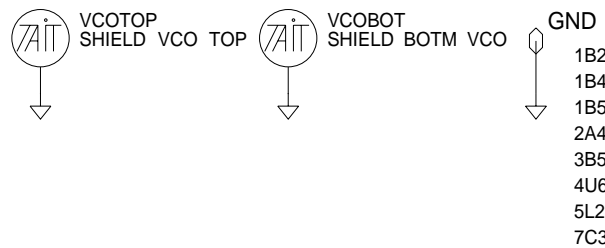


© TAIT ELECTRONICS  
 TAIT ORCA : 450-530 MHZ SYNTHESISER  
 IPN: 220-01624-02 ISSUE: A ID: 2.SC. 5  
 PROJECT: ORCA DESIGNER: BRD/CJK/TS FILE NAME: 162402a FILE DATE: 16-Dec-99 NO.SHEETS: 7

REV/ISS	AMENDMENTS	DRAWN	CHKD	D.O.	APVD	DATE

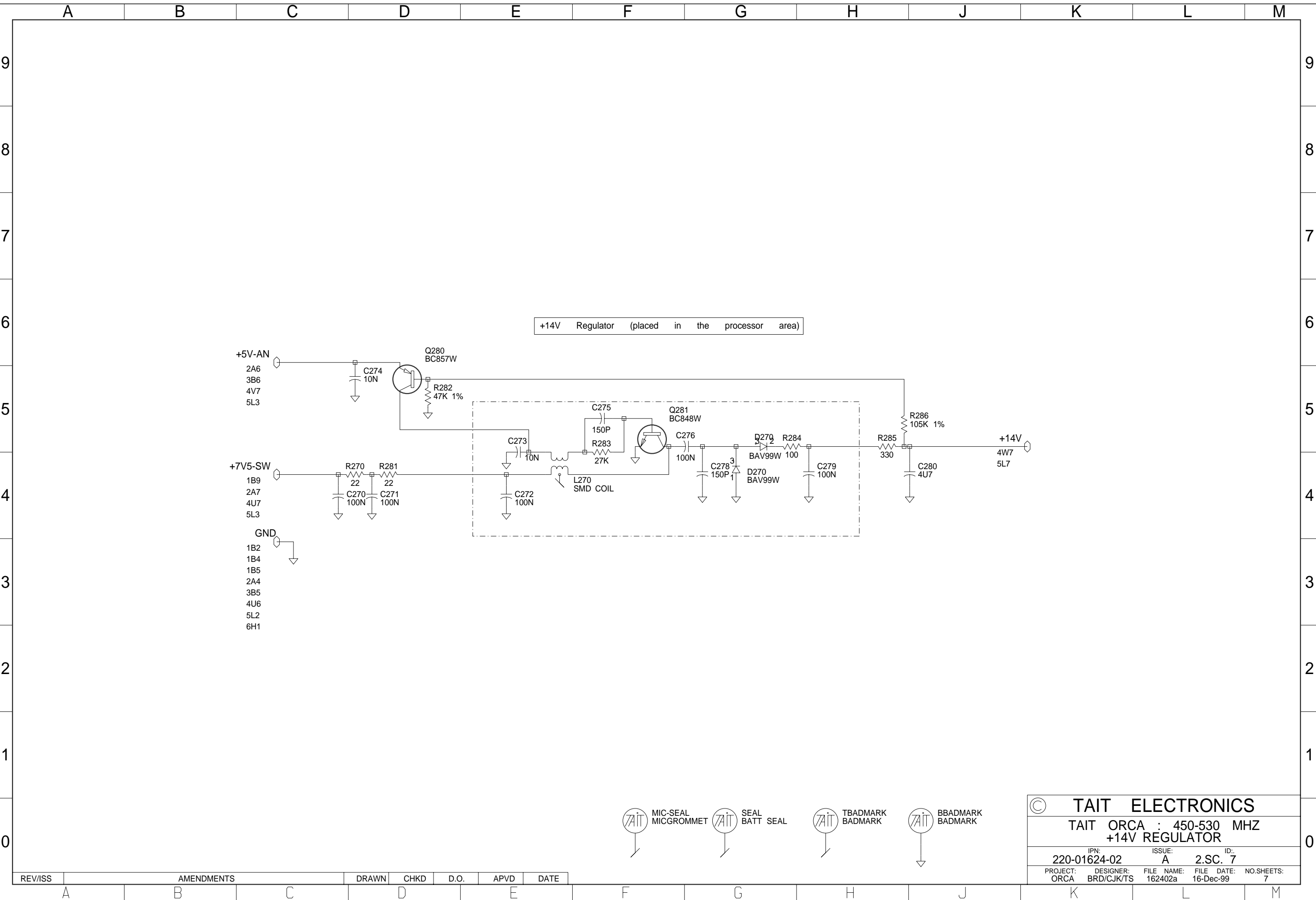






Daffys Can



© TAIT ELECTRONICS  
 TAIT ORCA : 450-530 MHZ  
 VCO  
 IPN: 220-01624-02 ISSUE: A ID: 2.SC. 6  
 PROJECT: ORCA DESIGNER: BRD/CJK/TS FILE NAME: 162402a FILE DATE: 16-Dec-99 NO.SHEETS: 7

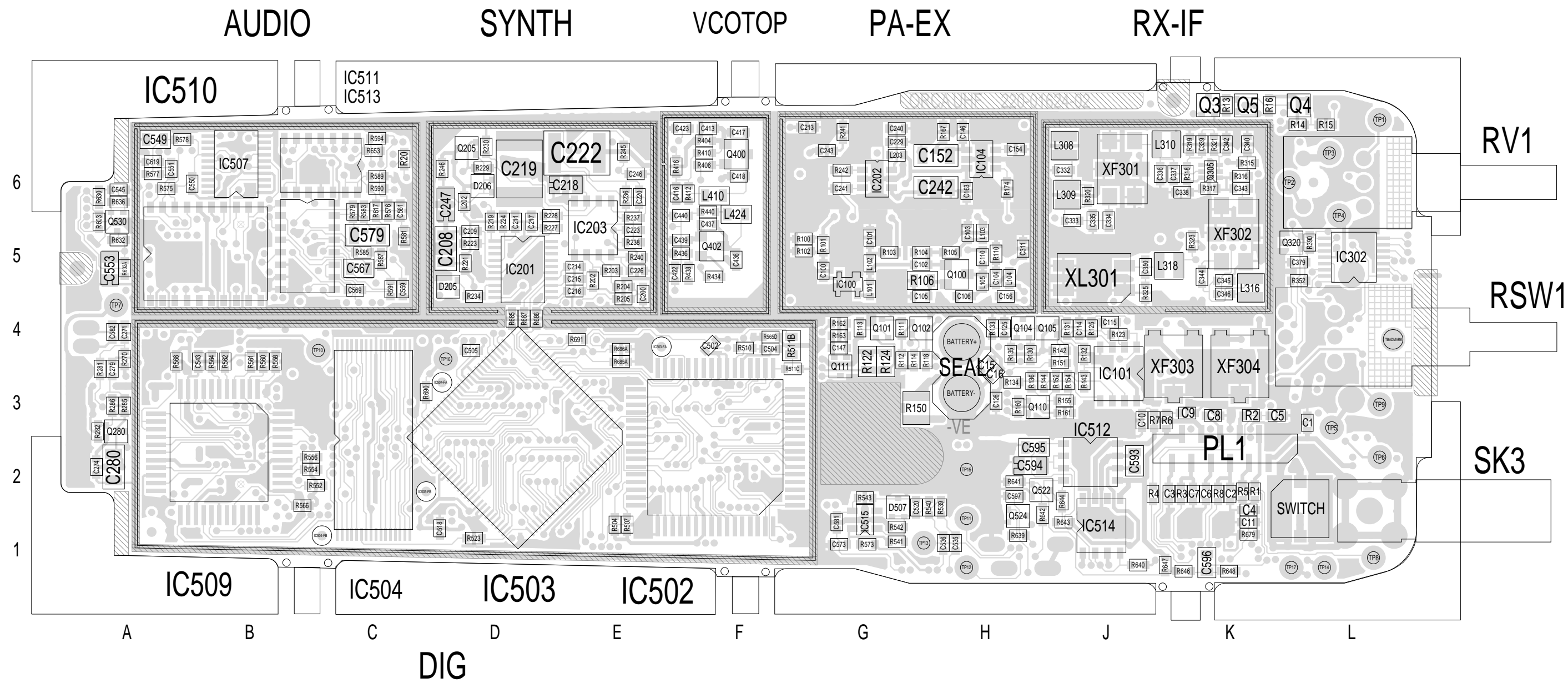
REV/ISS	AMENDMENTS	DRAWN	CHKD	D.O.	APVD	DATE



-   
 MIC-SEAL  
MICGROMMET
-   
 SEAL  
BATT SEAL
-   
 TBADMARK  
BADMARK
-   
 BBADMARK  
BADMARK

<b>© TAIT ELECTRONICS</b>				
TAIT ORCA : 450-530 MHZ +14V REGULATOR				
IPN: 220-01624-02	ISSUE: A	ID: 2.SC. 7		
PROJECT: ORCA	DESIGNER: BRD/CJK/TS	FILE NAME: 162402a	FILE DATE: 16-Dec-99	NO.SHEETS: 7

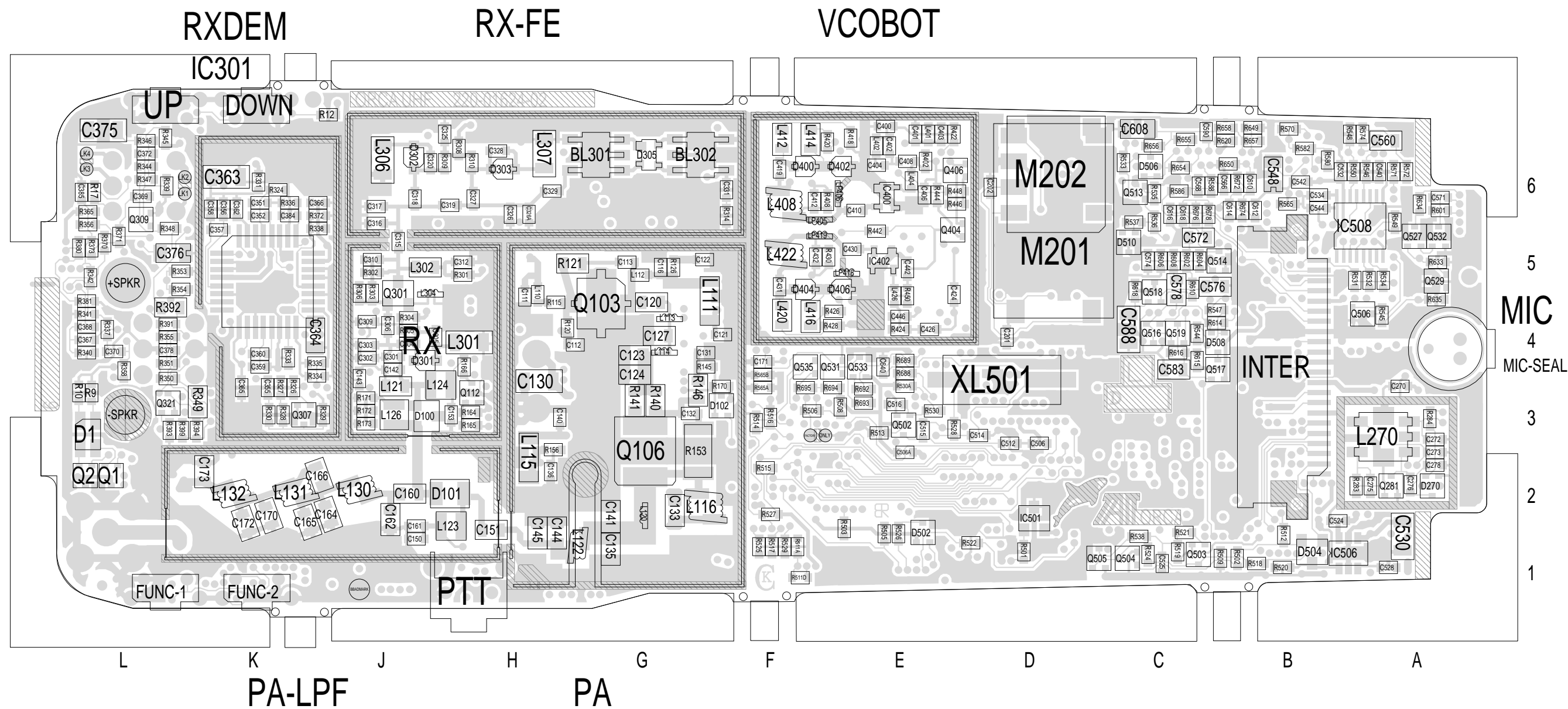
REV/ISS	AMENDMENTS	DRAWN	CHKD	D.O.	APVD	DATE



TAIT ELECTRONICS IPN: 220-01624-02 ISS: A ID: 1.TA DATE: 16 Dec 1999  
 ORCA UHF PCB LAYOUT - TOP SIDE

Scale: 2.3:1 ; Rotation: 0 degrees





TAIT ELECTRONICS IPN: 220-01624-02 ISS: A ID: 6.BA DATE: 16 Dec 1999  
 ORCA UHF PCB LAYOUT - BOTTOM SIDE

Scale: 2.3:1 ; Rotation: 0 degrees